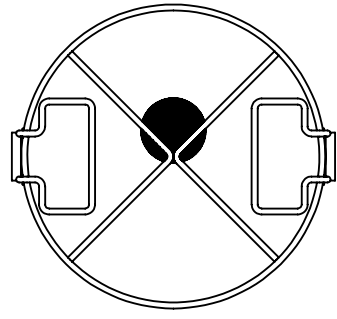
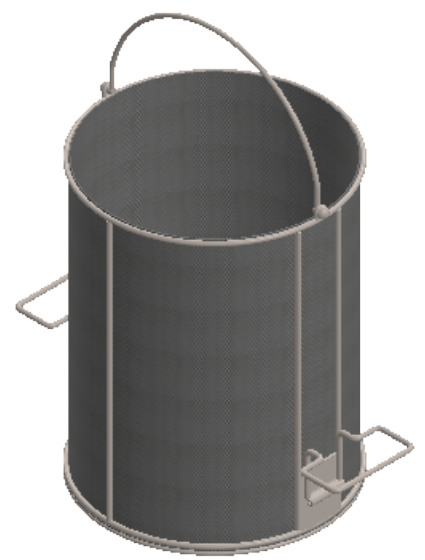
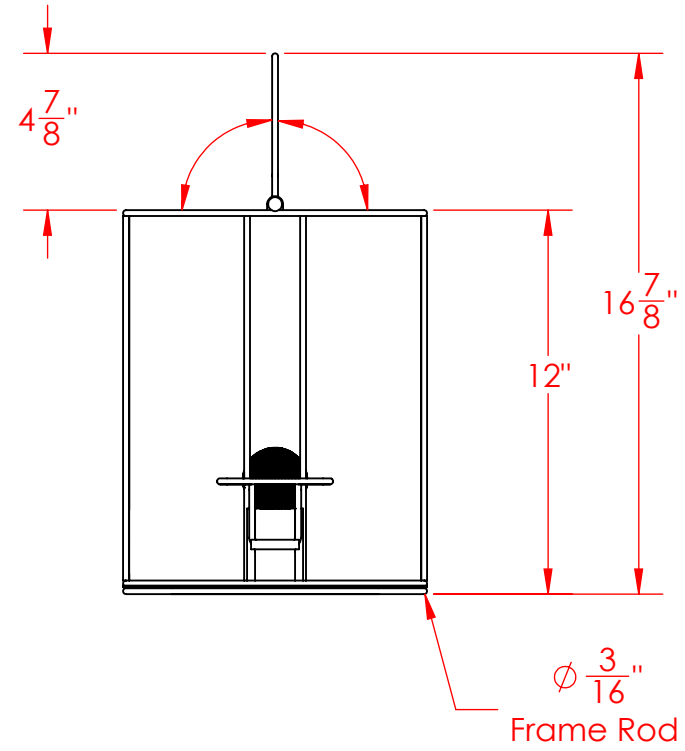
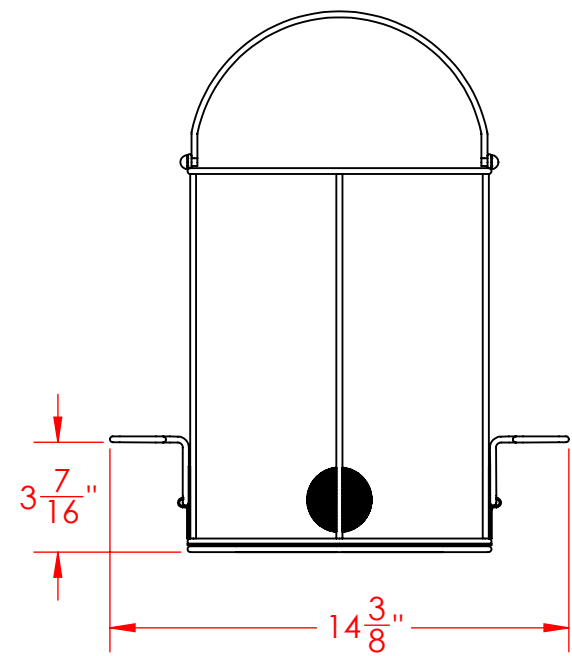
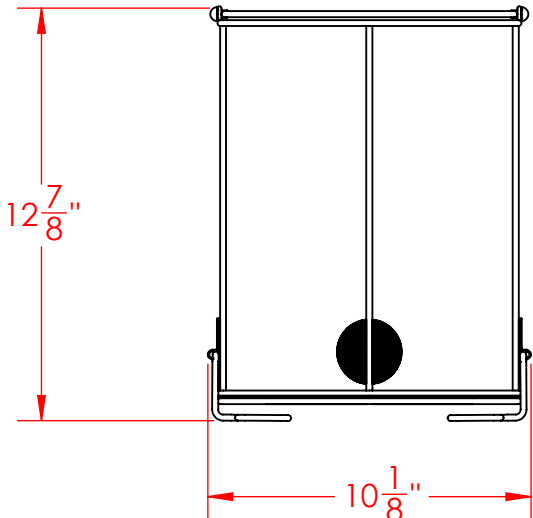
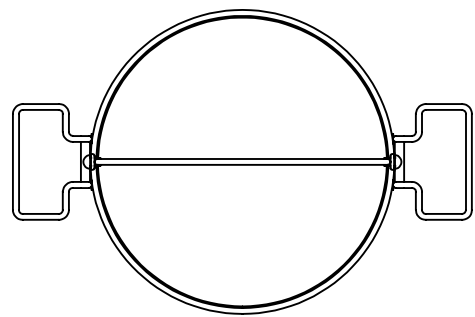
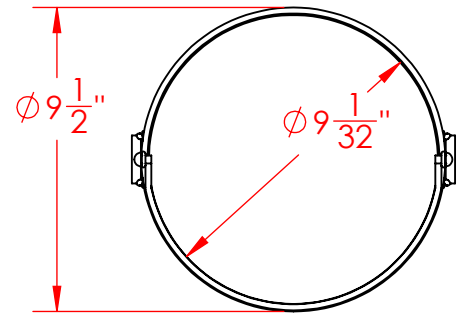


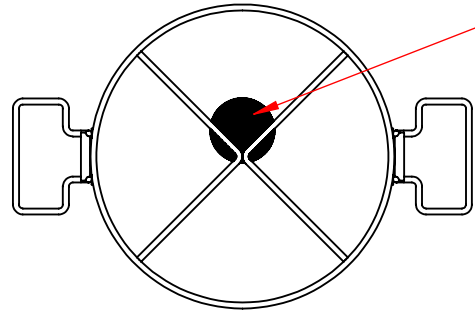
8 7 6 5 4 3 2 1

D
C
B
A

D
C
B
A



FEET IN/HANDLE DOWN



FEET OUT/HANDLE UP

Lined Bottom and Sides with 20 Mesh x .014" Woven Wire (.036" Openings, 51.8% Open Area)

Sized to fit a standard 5 gallon plastic bucket

UNLESS OTHERWISE SPECIFIED:
DIMENSIONS ARE IN INCHES
TOLERANCES:
FRACTIONAL ± 1/16"
ANGULAR: ± 5 DEG.
TWO PLACE DECIMAL ±0.03
THREE PLACE DECIMAL ±0.015

EST WGT 2.7 lbs.
MATERIAL 304 Stainless Steel
FINISH Natural

DO NOT SCALE DRAWING

Dip and Drain Basket: 9-1/2 Dia. x 12H, 304 SS, Swinging Round Loop Handle, Mesh: 20 x .014

SIZE **B** DWG. NO. DND-095RND120-C20S

PROPRIETARY AND CONFIDENTIAL
THE INFORMATION CONTAINED IN THIS DRAWING IS THE SOLE PROPERTY OF THREE M TOOL. ANY REPRODUCTION IN PART OR AS A WHOLE WITHOUT THE WRITTEN PERMISSION OF THREE M TOOL IS PROHIBITED.

SCALE: 1:6

SHEET 1 OF 1

8 7 6 5 4 3 2 1